

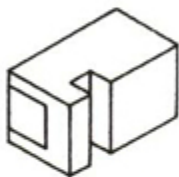
BIRO WEARABLE SAW PARTS THAT WILL FIT BIRO POWER
CUTTERS MODS. 11, 1433, 33, 3334, 44, 4436, & 55



S265----MEAT
GAUGE SPRING



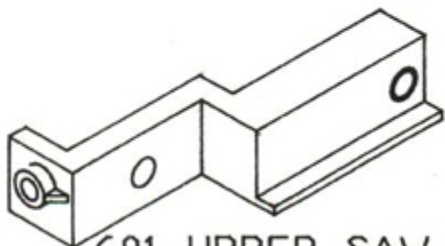
159 CARRIAGE
BEARING
11-22-33



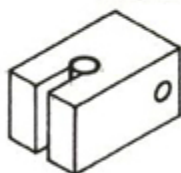
604 LOWER
SAW BLADE
BACK-UP GUIDE
11-22-33
(BEFORE 35300)



16159 CARRIAGE
BEARING
1433-34-3334
44-55



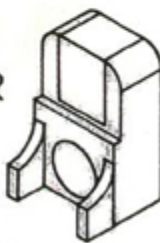
601 UPPER SAW
GUIDE BRACKET



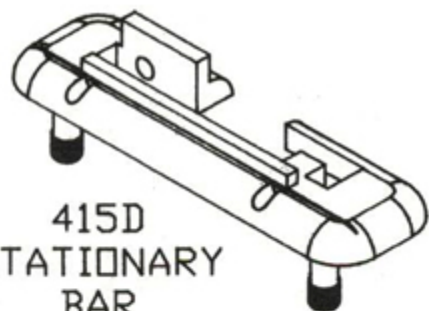
602B
UPPER SAW GUIDE
W/BEVELED CARBIDE



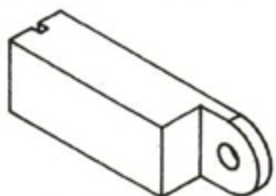
131
STEEL
BLADE
CLEANER



605
LOWER
SAW
BLADE
BACK-UP
GUIDE
34-3334-44



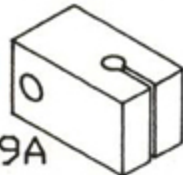
415D
STATIONARY
BAR



177 NYLON
FILLER BLOCK



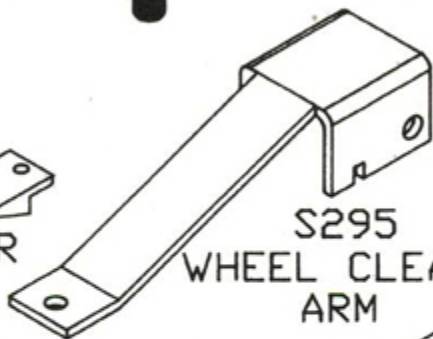
S268
FILLER &
GUIDE STUD



119A
LOWER SAW
GUIDE



179
WHEEL
CLEANER



S295
WHEEL CLEANER
ARM



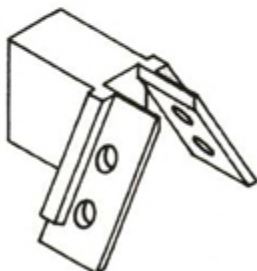
S229
WHEEL CLEANER
ARM SPRING



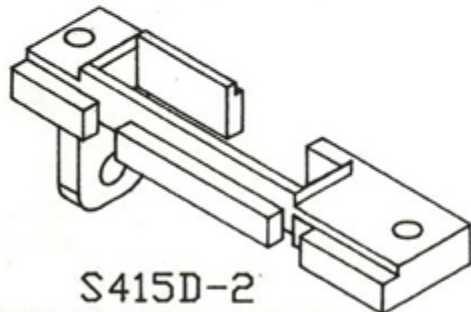
S244
WHEEL CLEANER
ARM STUD



S608 LOWER
SAW GUIDE BACK-UP
GUIDE WITH CARBIDE
22-1433-55
(AFTER 35300)



130 SAW
CLEANER BRACKET



S415D-2
STAINLESS STEEL
STATIONARY BAR
22-1433-55
(AFTER 35300)