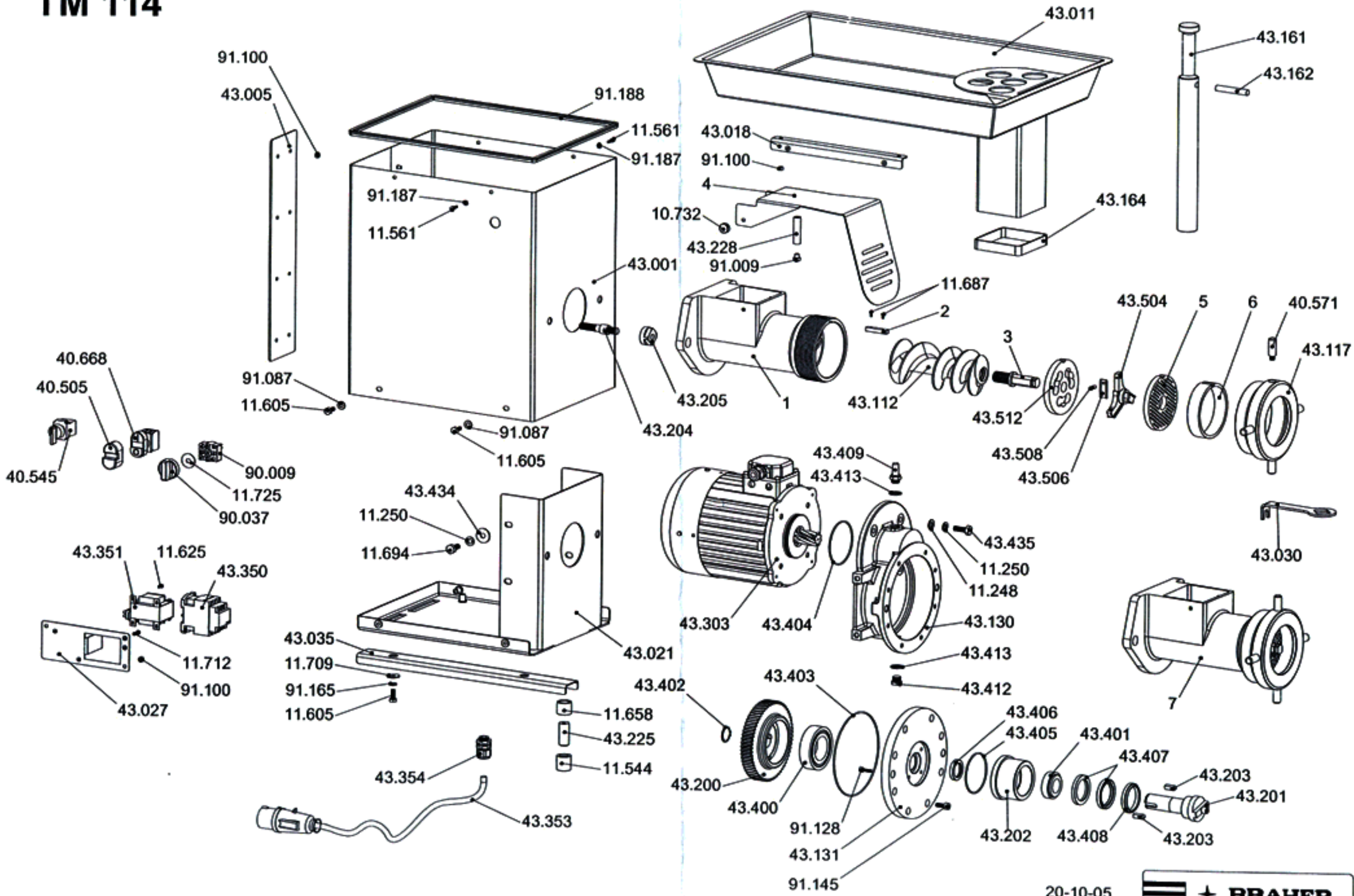


TM 114



20-10-05

